

Electric Bolt Lock - Industrial

Type 60,61L

Benefit from more than 100 years of experience. Use our unmatched end-to-end service: from off-the-shelf products to tailor-made designs - prototyped, tested and manufactured to your exact requirements.

Get free advice, a detailed quote or buy now

Email us at sales@magnetschultz.co.uk or call +44(0)1483 794700

Applications

robust and secure locking of -

roller shutter doors • access control • security doors • grills & gates

Function

- energise-to-lock (Type 60L) or spring-to-lock (Type 61L)
- adjustable bolt position switch
- integral manual override
- DC or AC supply
- 20mm bolt stroke

Standard features

- flat-ended bolt of chamfered for slam-shut operation
- slam-shut/lock when closed
- right-angle design (for reduced dimension on axis of bolt travel)
- flange mounting, installation in any attitude
- high performance, corrosion resistant, maintenance-free bearings
- coil insulation class F, maximum voltage 250V
- boxed version protected to IP30

Options on request

- special fascia plates and door-proving switches
- different bolt lengths
- alternative switch arrangements

Standards

- ISO 9001
- solenoid design and tested to VDE 0580



Type 60L,61L - O,B GFCX 050			
Operating mode- Duty rating ED		S1 100%	
Stroke s (mm)		Magnetic force F _M (N)	Spring return force (N)
	0	25	12
	20	3	3
Rated Power P ₂₀	(W)	20	
Weight (kg)	Open (O)	1.34	
Static bolt side load, max allowable	(N)	3000	

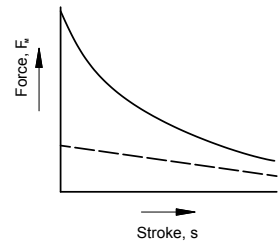


Fig. 2 Force characteristic

Table Notes

0mm is completion of energised stroke, i.e. the retracted position
 Force figures F_M are gross. For net values deduct spring force
 The lock will not withdraw if a side-load is present

Table Basis

The terms used are defined in Technical Definitions GXX

Magnetic forces F_M stated are based on

- 24v 100% duty coil
- working in the Hot condition
- 90% of the rated voltage
- 35°C ambient temperature
- armature in horizontal attitude
- heat-insulated mounting

Duty Rating ED, % of energised time/cycle:

100% : continuous duty
$$\frac{t(\text{on})}{t(\text{on}) + t(\text{off})} \times 100$$

Rated Power P₂₀ stated with coil at 20°C

Values given may vary by up to 10% owing to inherent and manufacturing tolerances

Shotbolts Type 60,61-LO, incorporate solenoid GFCX050X00E14. For solenoid performance and other details refer to data sheet 'GFC'

Supply Voltage

Standard Voltages available : 12V and 24V dc

Other Voltages upon request

Safety

The customer is responsible for ensuring that devices are suitable for their application and that, even if they should fail, safety in use is not compromised. We supply Technical Explanation documents to help users understand our products and assistance is always available from our technical department

Versions

Other locking devices are available – see respective data sheets

Also, special and modified versions, including

- ATEX / Explosionproof
- IP54 and IP65 protection
- special finishes
- long strokes

Contact our technical department for assistance

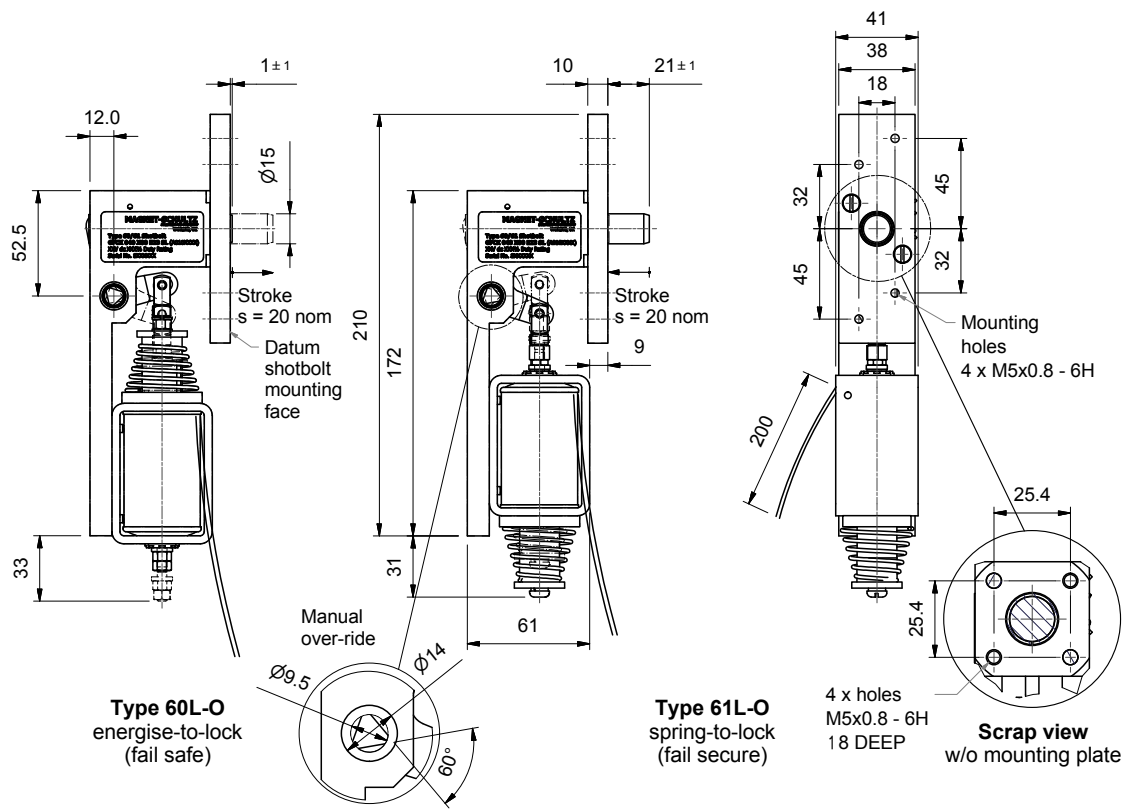


Fig. 3 Dimensions Type 60L,61L-O

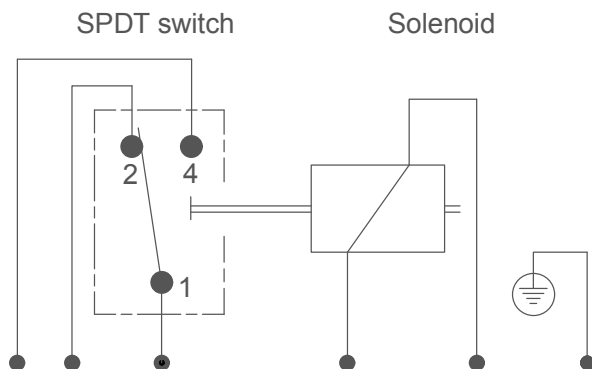
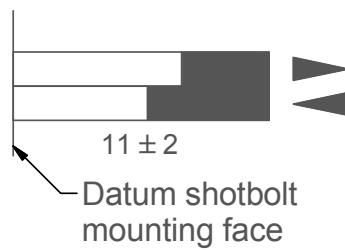


Fig. 4 Snap action change-over switch

Switch

All models incorporate a snap-action change-over switch with ratings:

- 5A (resistive load) at 125V AC
- 3A (resistive load) at 250V AC

- 4A (inductive load) at 14V DC
- 3A (inductive load) at 30V DC

If the switch is used in a DC circuit and is subjected to a surge current, connect a surge suppressor across the switch.

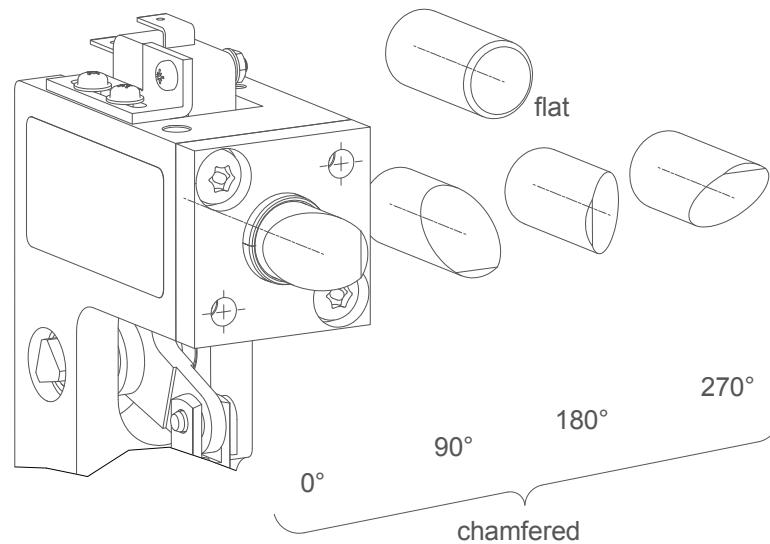


Fig. 5 Bolt options

Order example: **61L-O GFCX 050 FC CH 0° 24v 100%**

Order codes table:

Order Example	61L	B	GFCX 050	FC	CH	0°	24v 100%
Group and function type	60L - Energise-to-lock 61L - Spring-to-lock	O - Open 1B - Boxed					
Solenoid type			GFCX 050				
Switch type				FC - Forced contact SA - Snap action			
Bolt design					CH - Chamfered FL - Flat end		
Chamfered bolt angle - see Page 3, Fig 5						0° 90° 180° 270°	
Voltage % duty rating							24v 100%

¹ For boxed version see relevant data sheet

Ancillary Items	Order Code
Manual override key fig. 6	P0200478
Door proving Contact set to SK6619 fig. 7	P0200342



Fig. 6 Override key

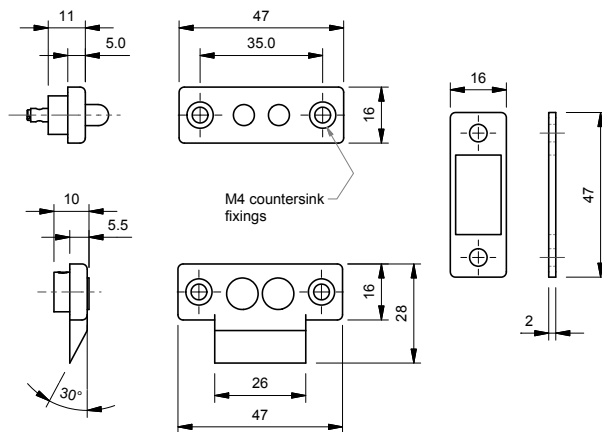


Fig. 7 Door proving contact set

Need more information or advice?

Email one of our technical experts at sales@magnetschultz.co.uk or call +44(0)1483 79400 now