

Permanent Holding Magnet

9

Product group

V1300.1799

G MP H 030

Product group

- To DIN VDE 0580
- Holding current principle:
 - de-energised: maximum holding force through integrated permanent magnet
 - energised: holding force is compensated
- High holding force with small volume
- Coil to insulation rating F
- Electrical connection:
 - Flat connector DIN 46244 A 2,8 - 0,8
- Mounting via centre thread in solenoid face
- Modifications and special designs on request
- Prepared for block mounting
- Application examples:
Machine tools, feeder mechanisms, textile machinery,
all sorts of shotbolts



Fig. 1: Type G MP H 030 X00 D01



Technical data

G MP H 030 X00 D01

Operating mode ED	S2 KB
Rated Voltage	24 V
Coil Resistance R_{20}	71.5 Ω
Drop-out current $I_{ab = const.}$	0,35 A
¹⁾ Holding Force F_M at stroke $s = 0$ mm*	70 N
²⁾ Residual holding force F_{MR} at I_{ab} and stroke $s = 0$ mm	5 N
Reference temperature ϑ_{11}	35 °C
Solenoid weight	0.08 kg
Test specimen's strength**	3 mm
Test specimen's dimensions	8 x 30 mm

¹⁾ Magnetic force values were measured from a test specimen of the material 9 SMn 28 with smoothly polished surface and a rough depth of max. 15 μ m.

²⁾ The external return forces have to be sufficiently higher than the residual force.

* Holding force values were measured from individual solenoids. With manifold assembly values will change. In this case design is made together with the -parent company.

** At a smaller strength of the test specimen, the magnetic force will reduce. Greater deviations of the rated magnetic force may occur if materials with an other permeability or with a bad quality of their surface are used.

Rated voltage \equiv 24 VDC, special voltage on request.

Owing to natural dispersion, the magnetic-force values may deviate by ± 10 % from the values indicated in the tables.

Please not also - Technical information „Polarised Magnetic systems V1300.1342“ or VDE 0580 respectively.

Remark the technical harmonisation guidelines within the EU



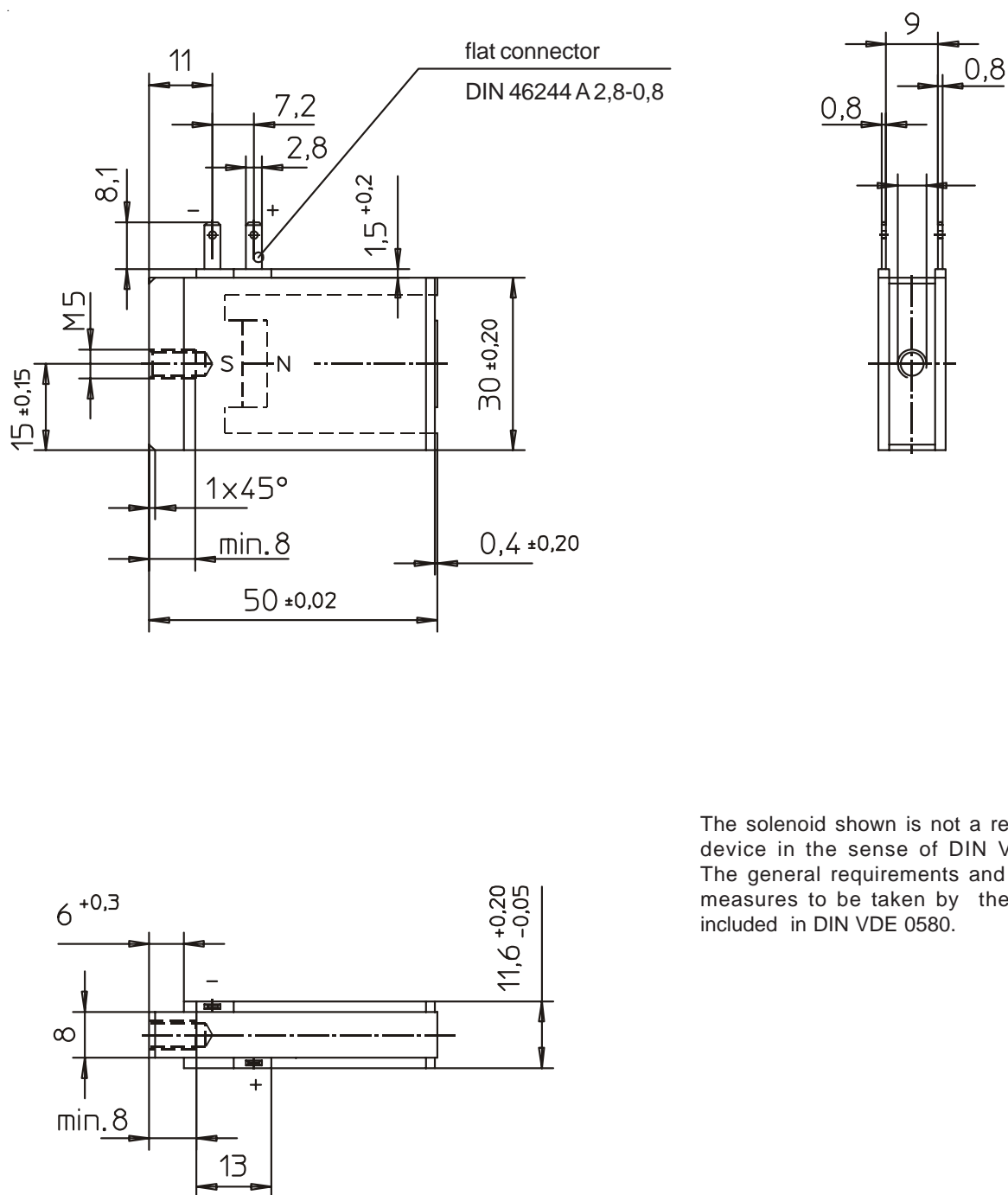
Electromagnetic solenoids of this product range are subject to the low-voltage guideline 72 / 23 EWG.

To guarantee the targets of this regulation, products are manufactured and inspected to the valid edition of DIN VDE 0580. This is also a declaration of conformity of the manufacturer.

Note on the EMC (electromagnetic compatibility) guideline 89/336 EWG

Electromagnetic solenoids are not affected by this EMC-guideline because neither do they cause electromagnetic disturbances, nor can they be disturbed through electromagnetic disturbances. Therefore, the adherence to the EMC guideline has to be guaranteed by the user through appropriate circuitry wiring. Examples for protection circuits can be taken from the corresponding technical documents.

Dimensions sheets

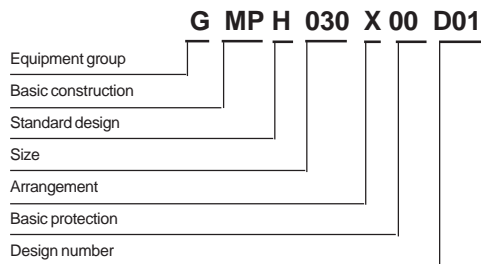


The solenoid shown is not a ready-to-use device in the sense of DIN VDE 0580. The general requirements and protective measures to be taken by the user, are included in DIN VDE 0580.

Fig. 2: Type G MP H 030 X00 D01



Type code



Order Example

Type	G MP H 030 X00 D01
Voltage	== 24 V
Operating mode	S2 (short time duty)

Specials

Special designs are available on request for which full application conditions should be specified in accordance with our  -Technical Explanations.