

On/Off- Solenoid to RL 94/9/EG (ATEX 95)

4

Product group

G HP E


- To DIN VDE 0580 and RL 94/9/EG (ATEX 95)
- Pressure-tight armature space, rated operating pressure 250 bar
- Magnetic force/stroke characteristic
- Quick floating times
- Pushing type
- Mounting via central thread
- Simple exchange of the coil without opening the hydraulic circuit
- Coil winding to insulation classification H
- Electrical connection and protection class if mounted properly:
 - Connection cable Li12Y11Y 3 x 1.5
Protection class to DIN VDE 0470/EN 60 529 - IP67
Explosion protection  II 2G EEx m II T4
Supplementation of permission for dust guard, 2D, is being prepared.
- Manual override
- Special designs on request
- Application examples:
Actuation of hydraulic and special valves



Fig. 1: G HP E 037 AMX A01



Technical Data

G HP E 037 AMX A01	
Operating mode	S1 (100 %)
Rated Voltage U_N	24 V
Rated Current I_B	0.72 A
Rated Power P_{20}	17.3 W
Ambient temperature T_a	- 20° to + 50° C

Mounting on hydraulic valve with multiple mounting in single operation:

minimum size: 46 x 46 x 66 mm on base plate

material: iron or material with equal, or better heat derivation respectively.

The indicated technical data refer to a power supply from the A.C. mains supply via bridge rectifier.

By appropriate measures it is to be ensured that the given maximum values, especially the control current level, are not exceeded.

On request the coil winding can be adjusted to other current and resistance values.

The magnetic-force values in the diagram refer to 90 % of the rated voltage ($U_N = \text{---} 24 \text{ V}$) and in hot condition, according to DIN VDE 0580. For other voltages the magnetic force may deviate.

Owing to natural dispersion the magnetic-force values may deviate by $\pm 10 \%$ from the listed values.

On request, the armature space can be de-aerated and the push-rod can be adjusted.

Mech. modifications of the flange are possible on request.

The solenoid interior and armature bearing are resistant to all neutral fluids that are commonly used in hydraulics.

Please contact us if you intend to use other operating media.

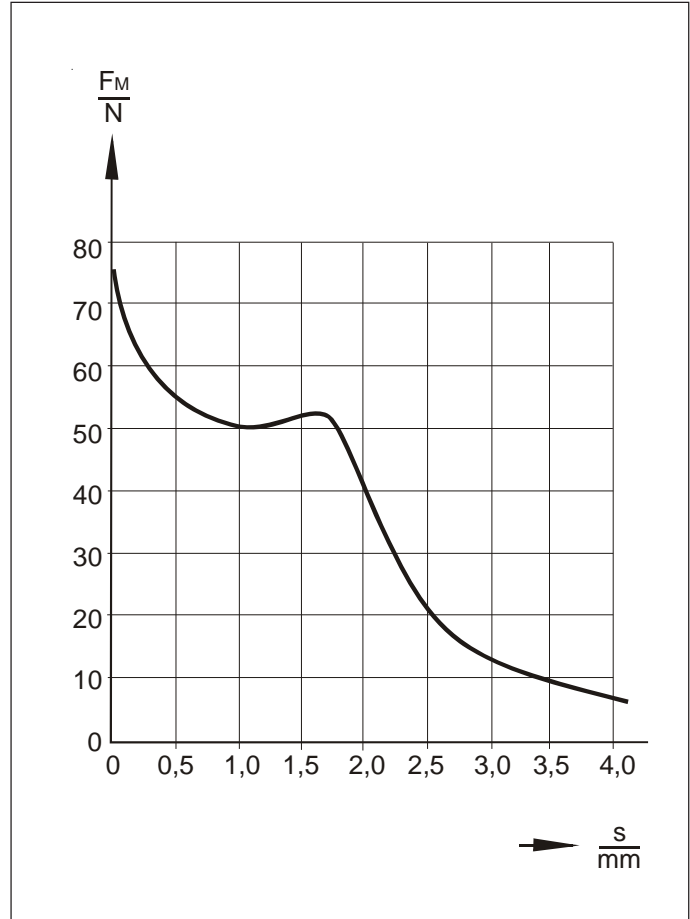


Fig. 2: magnetic force / stroke characteristic G HP E 037 AMX A01

Please notice the relevant operating manuals which are delivered with each device. An EC declaration of conformity of the manufacturer is enclosed once.

Please be sure that this device ist suitable for your application.

We kindly ask to notice the DIN EN 60079-14 for the application.

Note on the RoHS guideline 2002/95/ EC

The devices presented in this document do not fall into the scope of regulation 2002/95/EC („RoHS“) and do not become part of products which fall into the scope according to our state of information. In case of surfaces zinc coating with yellow chromating and zinc iron with black chromating separate agreements are necessary for application according RoHS.

Proportional Solenoid, complete

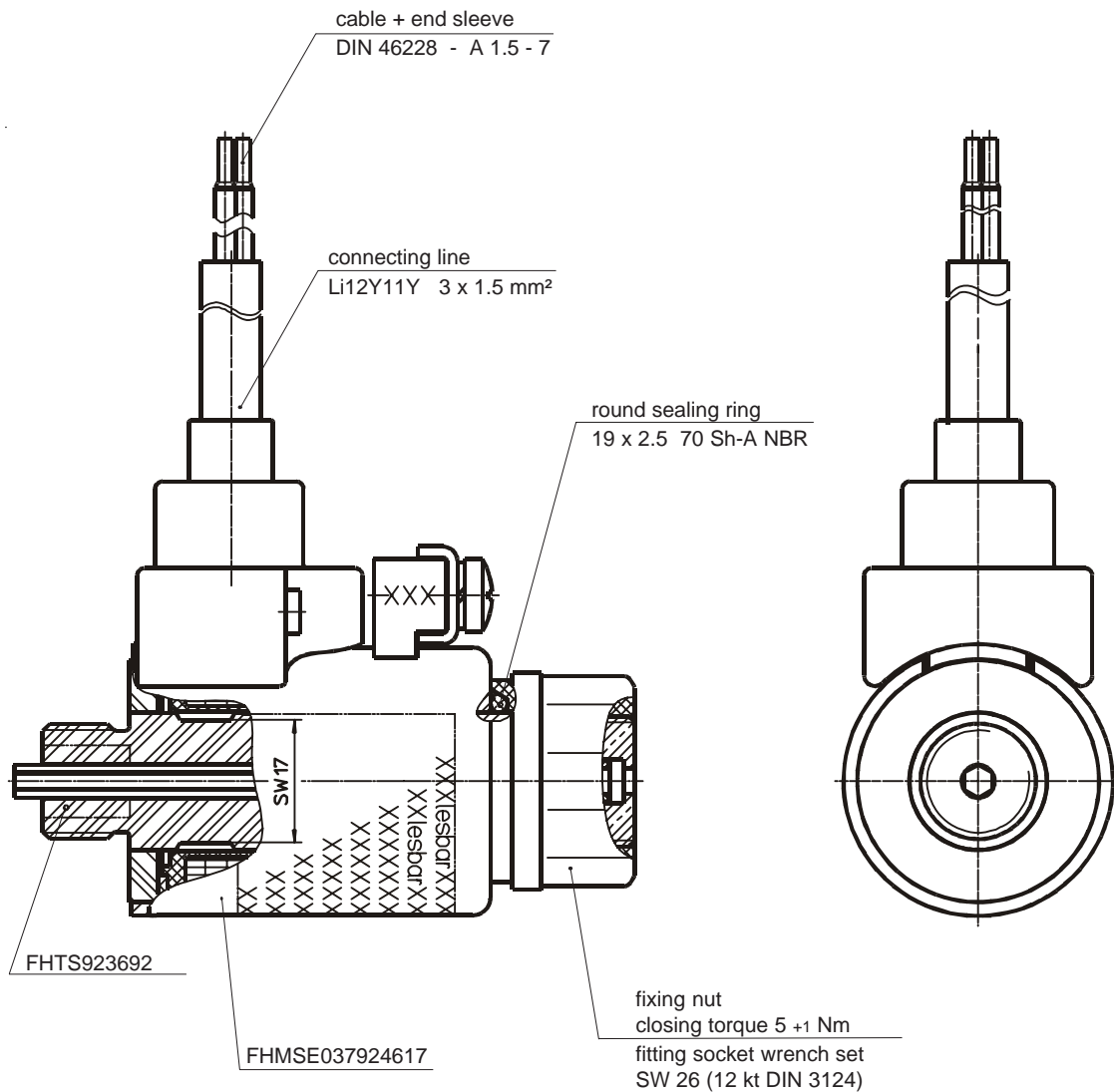
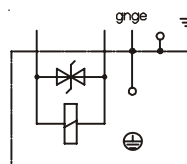


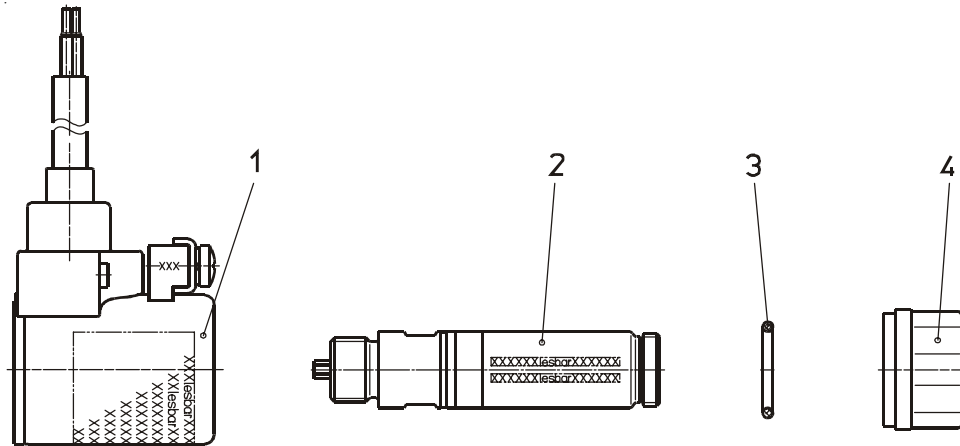
Fig. 5: Proportional Solenoid G HP E 037 AMX A01

The solenoid shown is not a ready-to-use device in the sense of DIN VDE 0580. The general requirements and protective measures to be taken by the user, are included in DIN VDE 0580. The use of the shown device in safety relevant applications needs always the written agreement of MSM.

Wiring diagram



Single Components



consecutive number	quantity	description	Ident-No.
1	1	magnetic body f. 24 VDC	FHMSE924617-001
2	1	tube	FHTS037923692
3	1	round sealing ring 19 x 2.5 70 Sh-A NBR	781754
4	1	fixing nut	472793

Fixing Nut

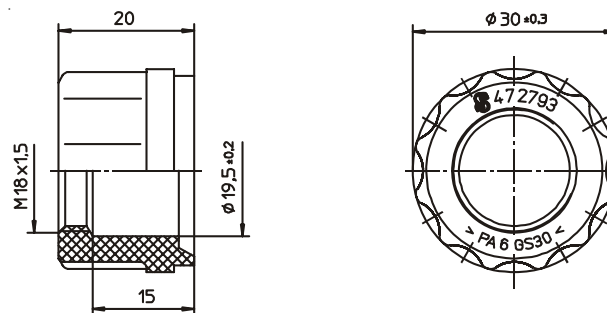
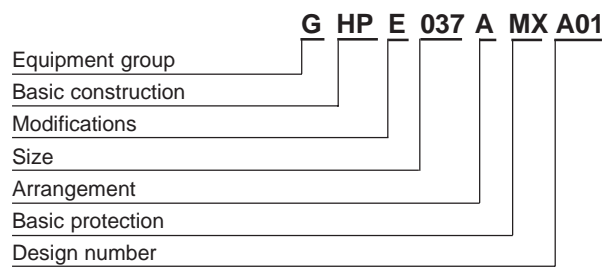


Fig. 6: Fixing Nut 472793
 suitable socket wrench SW26 (bihex DIN 3124)
 O-Ring to be used: 19 x 2.5 70 Shore A
 closing torque 5 ⁺¹ Nm



Type code




Only available as complete unit!

Order Example

Type	G HP E 037 AMX A01
Voltage	== 24 V DC
Operating mode	S1 (100 %)

Specials

Please do not hesitate to ask us for application-oriented problem solutions. In order to find rapidly a reliable solution we need complete details about your application conditions. The details should be specified as precisely as possible in accordance with the relevant  - technical explanations.

If necessary, please request the support of our corresponding technical office.